

Waterproof Junction box - INSX140

Material: Aluminum & SECC Steel

Dimensions: 297mmx 248mm x 107mm

Color: White

Type of Installation: Wall

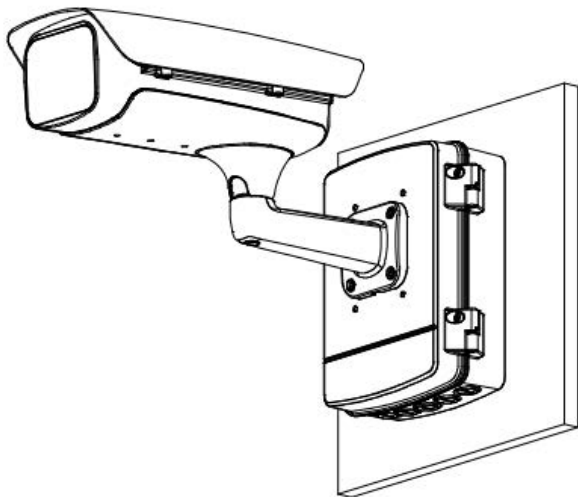
Net Weight: 3.2kg

Load Bearing Capacity: 8kg

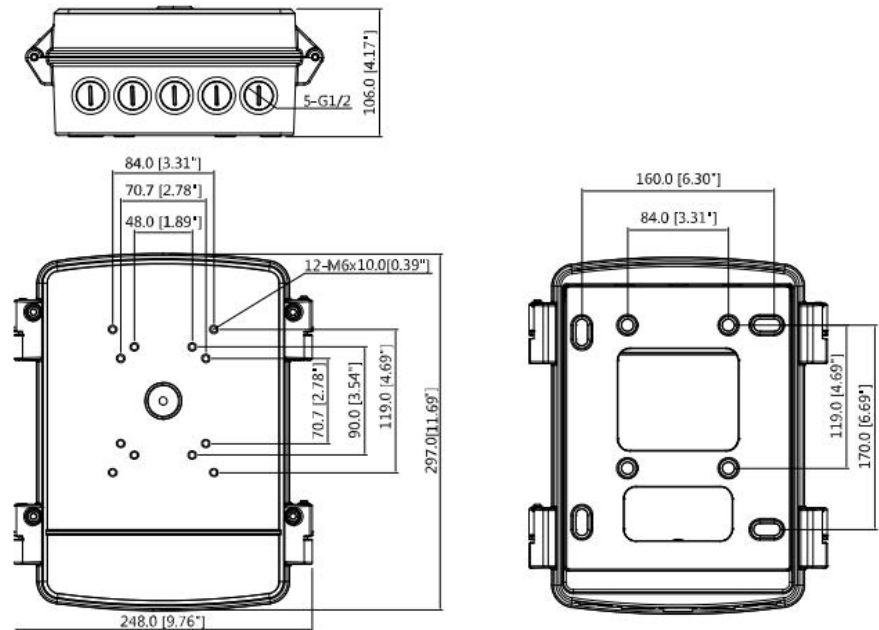
Work with: INSX300S or INSX303



Applications



Dimensions (mm)



Work with:



INSX300S



INSX303